

# 18.5" 1-Local / Remote Share Access Cat5 FHD LCD KVM over IP Switch ( KHT-2808 / KHT-2816 / KHT-2832 )

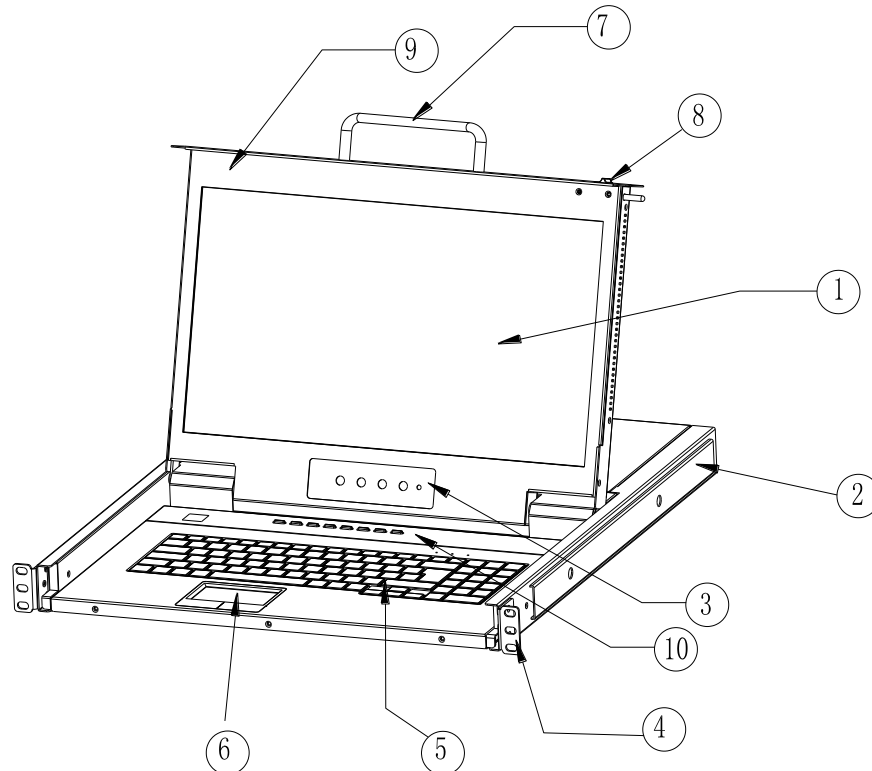


**Overview**

Featuring an integrated FHD LCD monitor, keyboard, and touchpad in a 1U rack-mountable housing, the KHT-2808 / KHT-2816 / KHT-2832 LCD KVM over IP Switch is a control unit that allows secure access to 8/16/32 computers from a single KVM console.

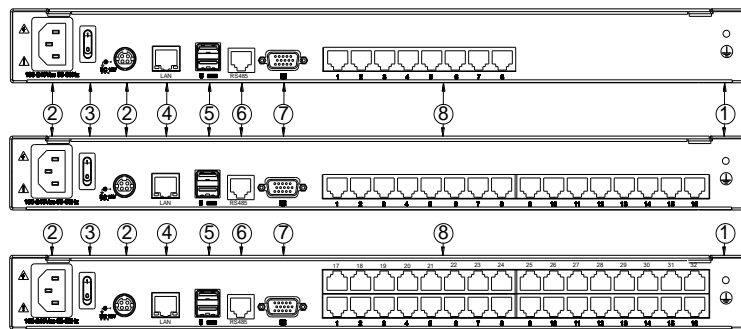
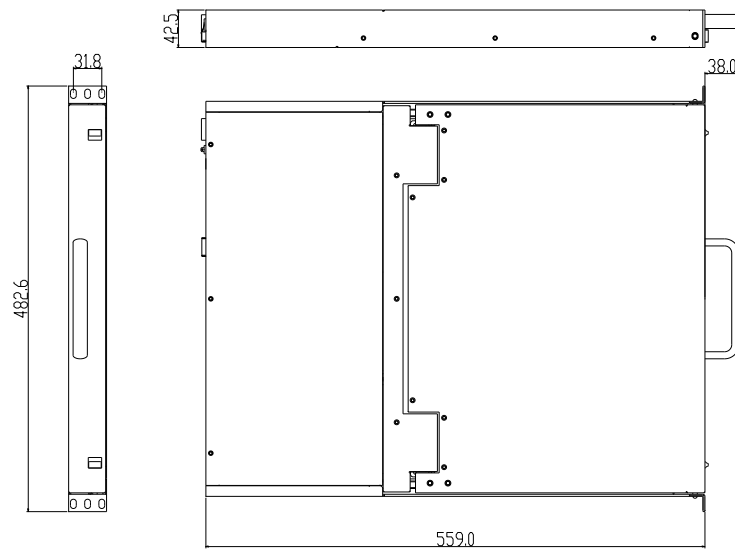
The KHT-2808 / KHT-2816 / KHT-2832 features IP-based connectivity that allows local and remote operators to monitor and access the computers. With TCP/IP communications protocol, the KHT-2808 / KHT-2816 / KHT-2832 can be accessed from any computer on the LAN, WAN or Internet.

It's easy to set up the KHT-2808 / KHT-2816 / KHT-2832, just plug the cable into the appropriate port, no software needed, no complicated installation procedures, and no compatibility issues. Connect computers with compact RJ-45 connectors and Cat 5e/6 cable, transmitting distance is up to 100m.



|                        |                           |
|------------------------|---------------------------|
| 1 LCD Monitor          | 6 Touchpad                |
| 2 Rear Bracket Slot    | 7 Handle                  |
| 3 Display Menu Buttons | 8 Release Switch          |
| 4 Mounting Bracket     | 9 Display Panel           |
| 5 Keyboard             | 10 Port Selection Buttons |

Structure



|   |                         |   |                      |
|---|-------------------------|---|----------------------|
| 1 | Ground Connection Screw | 5 | USB Port             |
| 2 | Power input(AC or DC)   | 6 | RS485 Port           |
| 3 | Power switch            | 7 | Console Monitor Port |
| 4 | LAN port                | 8 | Host Port            |

Features

Hardware Features

- 18.5” widescreen FHD LCD monitor with highlight, high definition and high resolution
- Rack-mountable in 1U system rack
- Full size keyboard with integrated number pad
- Integrated trackball – eliminates the need for a separate, external mouse

Local Console

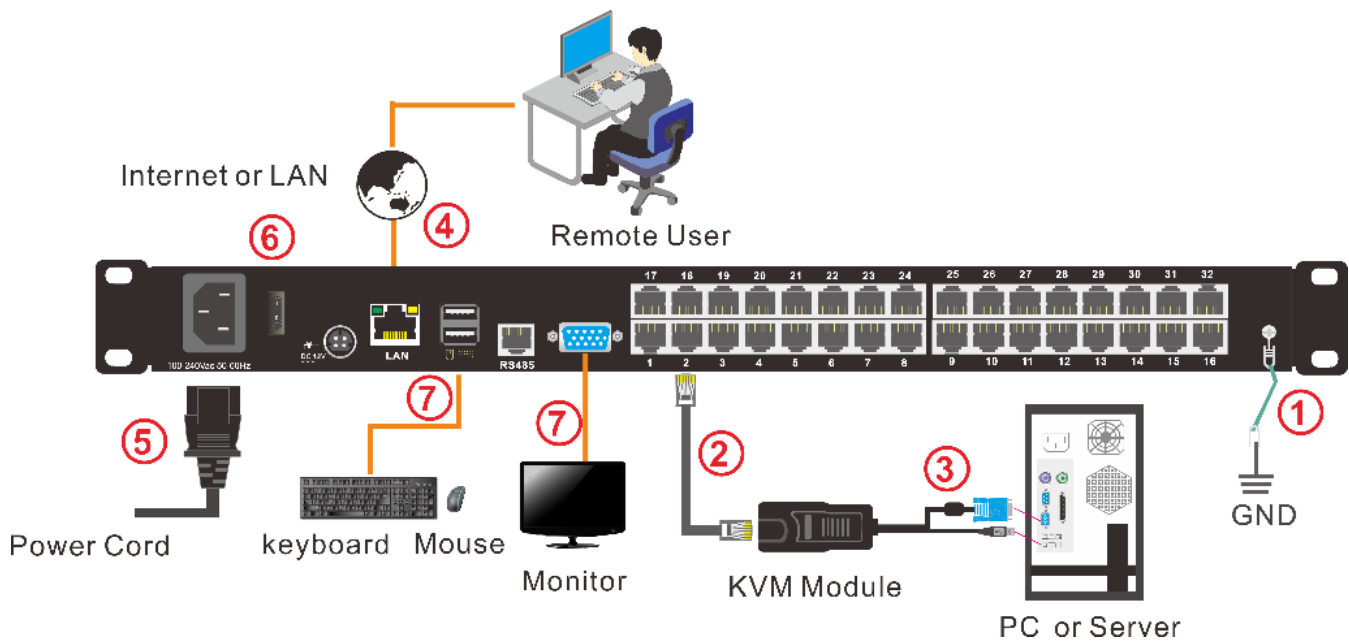
- Control up to 8 / 16 / 32 computers
- Support 1 local user and 1 remote user, port share mode allows local and remote users to gain access to a server simultaneously
- Easy-to-use switching by browser-based UI interface, hotkeys and pushbuttons
- Support servers with VGA/DVI/HDMI port
- Multiplatform client support (Windows, Linux, Unix, Mac, Solaris (Sun), Redhat, Ubuntu)
- Local Console, Browser, and AP GUIs offer a unified Multilanguage interface
- Local resolution is up to 1920 x 1080-
- Support mouse synchronization mode – automatically synchronizes the local and remote mouse movements
- Video synchronization with local console – EDID information for local console display can be stored in the host module for video resolution optimization

- Keyboard and mouse emulation to ensure the normal booting
- Auto scan feature for monitoring user-selected computer
- Hot pluggable – add or remove computers without having to power down the switch

### Remote Console

- Adaptive 10 / 100 / 1000 Mbps network
- WEB browser-based remote management
- Resolution is up to 1920 x 1080
- BIOS-level access
- Video quality and video tolerance can be adjusted to optimize data transfer speed, data transfer speed is up to 30 FPS
- Full screen or scalable video display
- Remote users and local users can control the same server/computer synchronously
- Support AES / DES / 3DES encryption
- Support audit function – allows the administrator to audit the device through the system log and operation log
- Exit Macros support
- Configurable user and group permissions for server access and control
- Message Board for communication among remote users
- Support firmware upgrade

### Connection Diagram



**Specifications**

| Model                         |                    | KHT-2808   | KHT-2816 | KHT-2832 |
|-------------------------------|--------------------|--|----------|----------|
| Server Connection             | Direct             | 8  | 16       | 32       |
|                               | Max                | 8  | 16       | 32       |
| Port Selection                |                    | Push button, UI, Web   |          |          |
| LCD Monitor                   | Mode               | FHD TFT  |          |          |
|                               | View Area          | 18.5   |          |          |
|                               | Optimum Resolution | 1920×1080@60Hz   |          |          |
|                               | Display Color      | 16.7 M   |          |          |
|                               | Brightness         | 500cd/m <sup>2</sup> (T y p)   |          |          |
|                               | Contrast Ratio     | 1000 : 1 (T y p)   |          |          |
|                               | Pixel Pitch(mm)    | 0.213 (H) × 0.213(W)   |          |          |
| Mouse                         | X/Y Resolution     | >1000 points /inch,( 40 points/mm )                                    |          |          |
|                               | Roll Wheel         | Supports scroll wheel function   |          |          |
| Keyboard                      |                    | 99 keys (82 keys main keyboard +17 independent small numeric keyboard) |          |          |
| Remote                        | Remote Control     | KVM control ( ActiveX control )  |          |          |
|                               | Management Way     | Web  |          |          |
|                               | Security           | DES encryption   |          |          |
|                               | Resolution         | 1920×1080@60Hz   |          |          |
| Input Power                   |                    | 100V – 240Vac, 50 ~ 60Hz, <1.5A  |          |          |
| Power Consumption             |                    | 35W  | 38W      | 43W      |
| Operating Temperature         |                    | 0 – 40°C   |          |          |
| Storage Temperature           |                    | -20 – 60°C   |          |          |
| Humidity                      |                    | 0 – 80% RH, non-condensing   |          |          |
| Net Weight                    |                    | 13.4 kg  | 13.4kg   | 13.7kg   |
| Product Dimension(W x D x H)  |                    | 448mm×560mm×42.5mm   |          |          |
| Package Dimension (W x D x H) |                    | 765mm×615mm×285mm  |          |          |